

KEY FEATURES

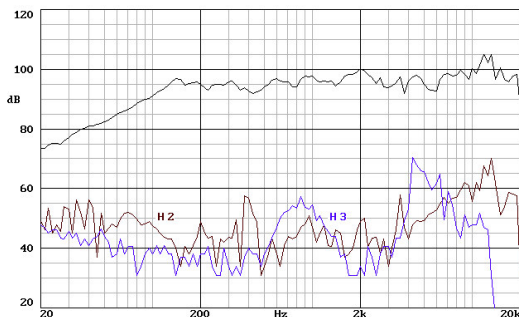
- 12" bass loudspeaker and 2" exit compression driver combination
- Excellent power handling: 350 w AES (L.F. unit) and 90 w AES (H.F. unit)
- Extended and linear frequency response (25-20000 Hz)
- High sensitivity: 98 dB (L.F. unit) and 105 dB (H.F. unit)
- Low weight (common neodymium magnet system for both units)
- Bass loudspeaker designed for compact bass-reflex cabinets



GENERAL DESCRIPTION

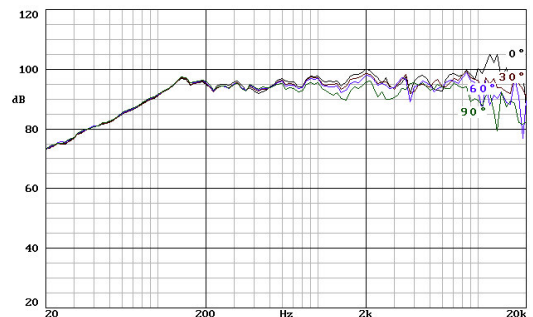
This 12" coaxial loudspeaker is intended for the most demanding professional applications. Its low frequency unit features a 4" (100 mm) edgewound aluminium ribbon voice coil capable of handle 350 w AES. This bass unit has been optimized in order to fit in with the most compact bass-reflex systems. The high frequency unit uses a 2.8" (72.2 mm) aluminium ribbon voice coil and a composite structure diaphragm, that is to say, a titanium dome and polyester surround combination. All these components give as a result a coherent and extended frequency response with low distortion that ranges from 25 Hz up to 20 kHz. Moreover, the use of a common neodymium magnet system for both units reduces the weight to 6.3 kg.

FREQUENCY RESPONSE AND DISTORTION CURVES

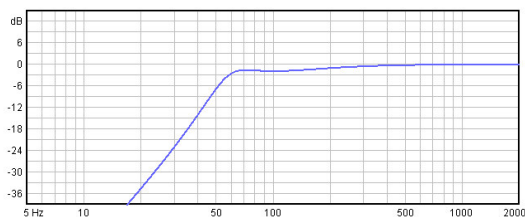


Note: on axis filtered frequency response measured with loudspeaker standing on infinite baffle in anechoic chamber, 1w @ 1m.

FREQUENCY RESPONSE OUT OF AXIS

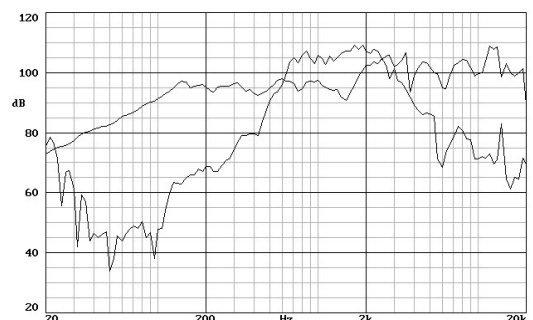


PREDICTED LOW FREQUENCY RESPONSE



Note: bass-reflex cabinet, Vb=60 l, fb=56 Hz

FREQUENCY RESPONSE OF LF & HF UNITS



Note: on axis frequency response of low and high frequency units, 1w @ 1m.

TECHNICAL SPECIFICATIONS

L.F. UNIT

Nominal diameter	300 mm. 12 in.
Rated impedance	8 ohms.
Minimum impedance	7.6 ohms.
Power capacity*	350 w AES
Program Power	700 w
Sensitivity	98 dB 2.83v @ 1m @ 2π
Frequency range	35-4000 Hz
Recom. enclosure vol.	40 / 100 l 1.49 / 3.53 ft. ³
Voice coil diameter	100 mm. 4 in.
Magnetic assembly weight	4.2 kg. 9.24 lb.
BL factor	18.2 N/A
Moving mass	0.047 kg.
Voice coil length	16 mm.
Air gap height	9 mm.
X damage	28 mm.

H.F. UNIT

Rated impedance	16 ohms.
Minimum impedance	13.5 ohms. @ 3.5 kHz
Power capacity	90 w AES above 1 kHz
Frequency range	0.5 - 20 kHz
Sensitivity 1w @ 1m	105 dB
Voice coil diameter	72.2 mm. 2.87 in.
Flux density	1.6 T
BL factor	15.3 N/A
Dispersion	80° conical

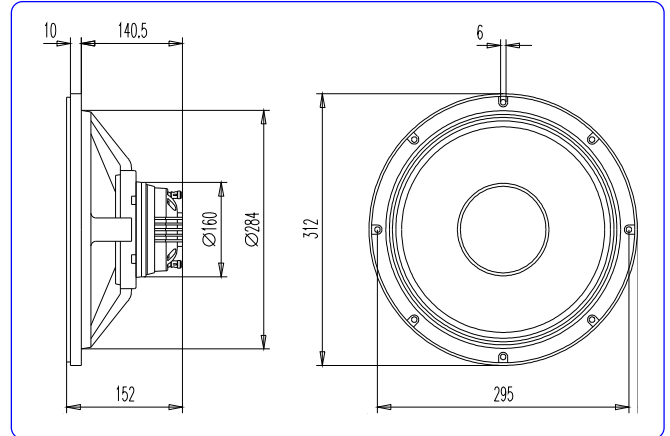
THIELE-SMALL PARAMETERS

Resonant frequency, fs	35 Hz
D.C. Voice coil resistance, Re	6.8 ohms.
Mechanical Quality Factor, Qms	7.98
Electrical Quality Factor, Qes	0.22
Total Quality Factor, Qts	0.21
Equivalent Air Volume to Cms, Vas	172 l
Mechanical Compliance, Cms	430 μm / N
Mechanical Resistance, Rms	1.36 kg / s
Efficiency, η ₀ (%)	3.3
Effective Surface Area, Sd (m ²)	0.0530 m ²
Maximum Displacement, Xmax	4 mm
Displacement Volume, Vd	210 cm ³
Voice Coil Inductance, Le @ 1 kHz	1.3 mH

Notes:

*The power capacity is determined according to AES2-1984 (r2003) standard.
Program power is defined as the transducer's ability to handle normal music program material.

DIMENSION DRAWINGS



MATERIALS

L.F. UNIT

- **Basket:** Die cast aluminium
- **Cone:** Paper
- **Surround:** Plasticised cloth
- **Voice coil:** Edgewound aluminium ribbon
- **Magnet:** Neodymium

H.F. UNIT

- **Dome:** Titanium
- **Surround:** Polyester
- **Voice coil:** Edgewound aluminium ribbon
- **Voice coil former:** Kapton

MOUNTING INFORMATION

Overall diameter	312 mm.	12.28 in.
Bolt circle diameter	295 mm.	11.61 in.
Baffle cutout diameter:		
- Front mount	284 mm.	11.18 in.
- Rear mount	284 mm.	11.18 in.
Depth	152 mm.	5.98 in.
Volume displaced by driver	6.5 l	0.23 ft. ³
Net weight	6.3 kg.	13.86 lb.
Shipping weight	7 kg.	15.4 lb.

**T-S parameters are measured after an exercise period using a preconditioning power test. The measurements are carried out with a velocity-current laser transducer and will reflect the long term parameters (once the loudspeaker has been working for a short period of time).